

# 15W SOLAR FLOOD LIGHT



## Features

The flood light's wide diffuser is purpose designed to spread and throw the light illuminating large areas effectively. This model does not use a P.I.R (passive infrared sensor) ensuring constant illumination of the area. The supplied remote controls on/off, dimmer, and timer functions offering the ability to program the light to specific site conditions. Solar panel and light head mounting hardware included allowing the panel to be installed up to 3800mm from the light head. The unique design and programming of this light allows it to be operated during the day for lighting farm sheds, garden sheds or any enclosed areas that require lighting during the day.

Adjustable lamp and panel brackets

Purpose designed wide and a forward throw diffuser

Illuminate large areas effectively

High quality inbuilt lithium battery

Constant lighting (no P.I.R)

Remote controls ON/OFF, dimmer, & timer functions

Surface or post mountable

Custom bracketing or powdercoated poles available on request

Light will operate during daylight hours to illuminate large enclosed areas

3800mm panel to light head cable

1 year warranty for faulty workmanship or component failure not influenced by external means

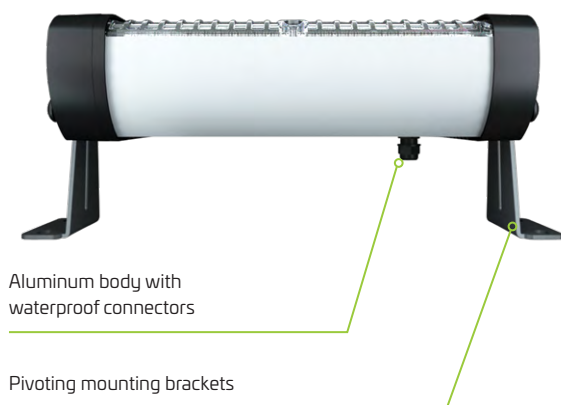


Luminaire Height 2 - 3 m

Lumen Output 1500 lm

LED Output 15W

# 15W SOLAR FLOOD LIGHT SPECIFICATION



## Applications

Constant large area lighting - Indoor or outdoor use

## Technical Data

Solar Panel Wattage	4.35W
LED Output	15W
Lumen Output	1500 lm
Battery Type	Lithium-ion
Battery Specifications	3.7V 6AH (22.2Wh)
Autonomy	> 5 nights, setting dependent
Correlated Colour Temp (CCT)	6000K
Fixture Size	189 (l) x 103 (w) x 79 (h) mm
Light Source	OSRAM 2835
Recharge	6 hours
Mounting Height	2 - 3 metres
Mounting	Wall or post
Finish	Moulded polycarbonate
Warranty Period	1 year
SKU	SOLL011/15

## Mode of Operation

Constant output lighting, no P.I.R (passive infrared sensor). Remote control over ON/OFF, dimmer, timer and day or night operation.

As we continue to improve the products function and/or design specifications and data provided may change without notice. Errors and omissions accepted.