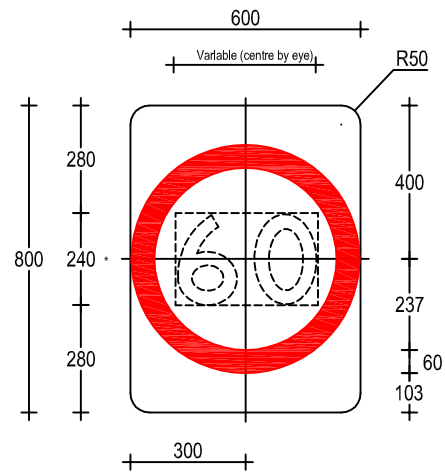
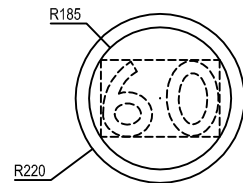


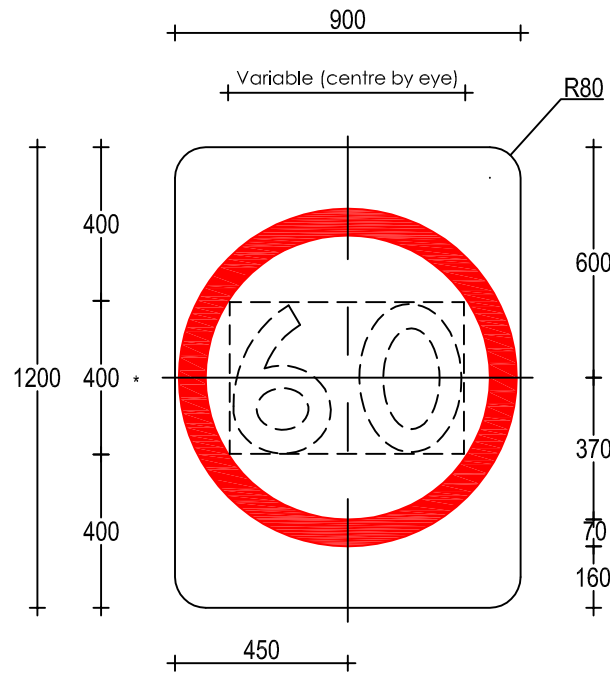
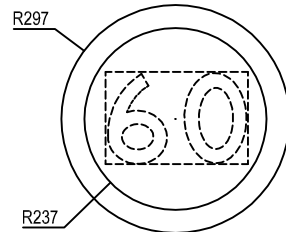
R4-1A
450 x 600

* 200D (2 numerals + 110 & 115)
200C (3 numerals)



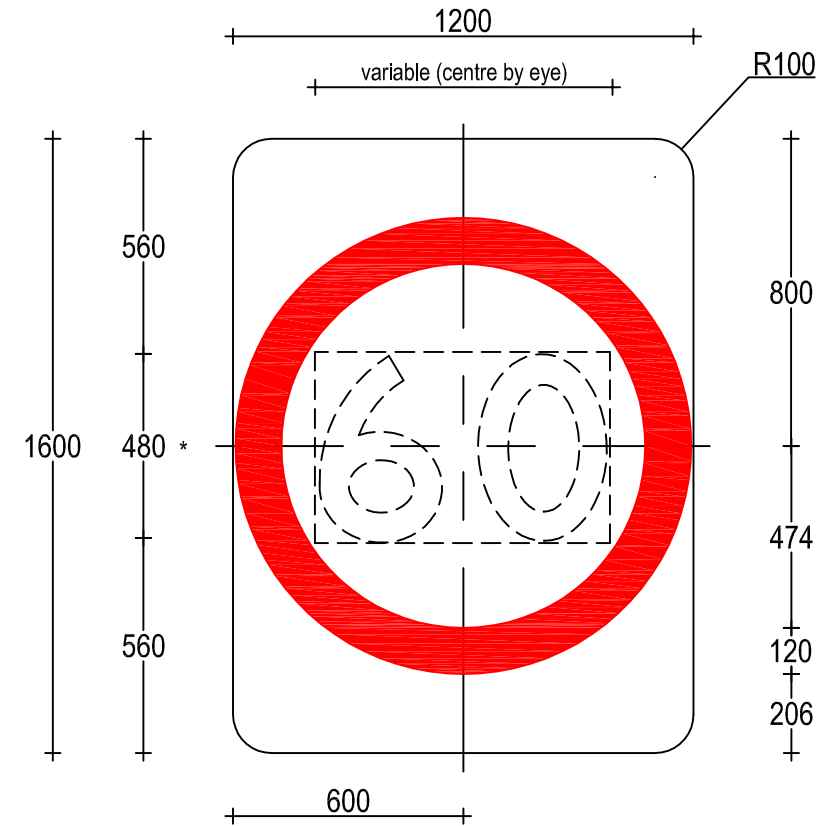
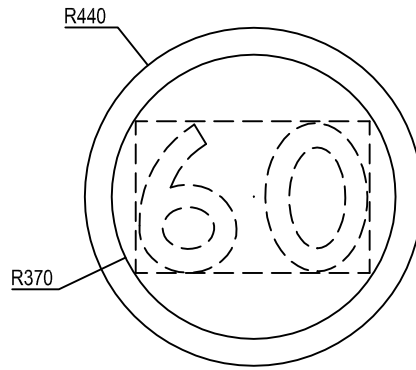
R4-1B
600 x 800

* 240D (2 numerals + 110 & 115)
240C (3 numerals)



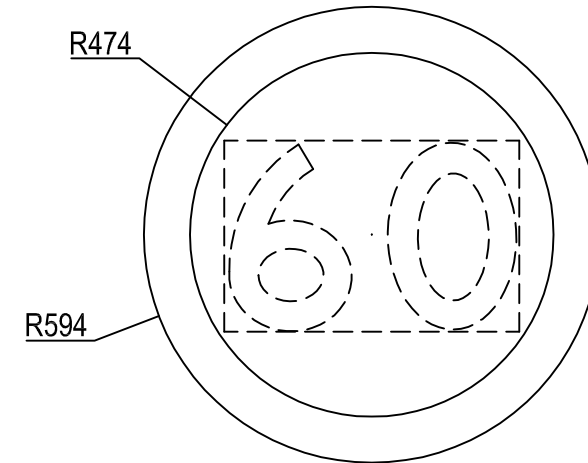
R4-1C
900 x 1200

* 400D (2 numerals + 110 & 115)
400C (3 numerals)



R4-1D
1200 x 1600

* 480D (2 numerals + 110 & 115)
480C (3 numerals)



ACCEPTED FOR CONSTRUCTION

REV	DATE	AMENDMENT / REVISION DESCRIPTION	APPROVAL
01	23-08-18	AS Fonts & material classification revised	P.Oliver

DRAWING FILE LOCATION / NAME: H:\SIGNS\TTT\DRAWINGS\PLOT\REGIR4-1.DWG

MATERIALS: ALUMINIUM SIGN
BLACK NUMERALS
AS1906.1 CL.400 RED REFLECTORISED ANNULUS
ON AS1906.1 CL.400 WHITE REFLECTORISED GROUND

SIGN TO BE MANUFACTURED IN ACCORDANCE WITH RMS QA SPECIFICATION 3400

DESIGNED
SIGNED: *M. Davies*
NAME: M. Davies
DATE: 12-07-19

REVIEWED
SIGNED: *J. Rozos*
NAME: J. Rozos
DATE: 12-07-19

VERIFIED
SIGNED: *P. Oliver*
NAME: P. Oliver
TITLE: Manager, Guidance & Delineation
DATE: 12-07-19



PREPARED BY
GUIDANCE AND DELINEATION
TRAFFIC ENGINEERING SERVICES
TECHNICAL AND PROJECT SERVICES

REGULATORY SIGN
R4-1
SPEED LIMIT

SHEET 1 OF 1

SCALE: 1:10

EDMS No. XXXXXXXXXX	SHEET No. 1	ISSUE 01
------------------------	----------------	-------------

THIS DRAWING MAY BE PREPARED IN COLOUR AND MAY BE INCOMPLETE IF COPIED